

MINI - STORED PRESSURE

ADAPTIVE (PRODUCT OVERVIEW)

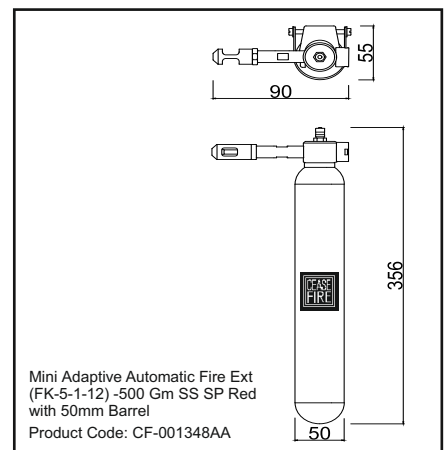
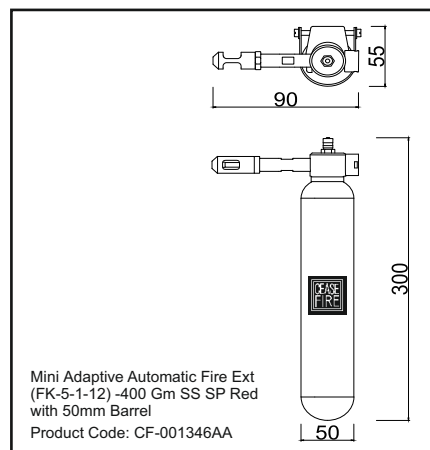
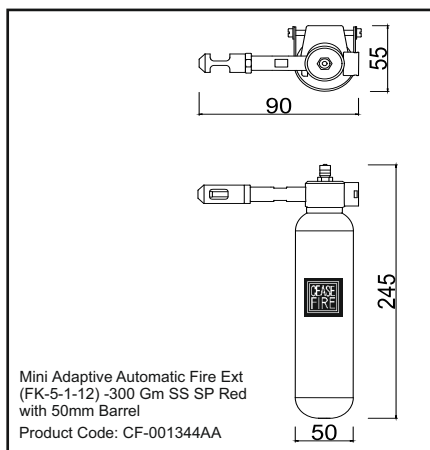
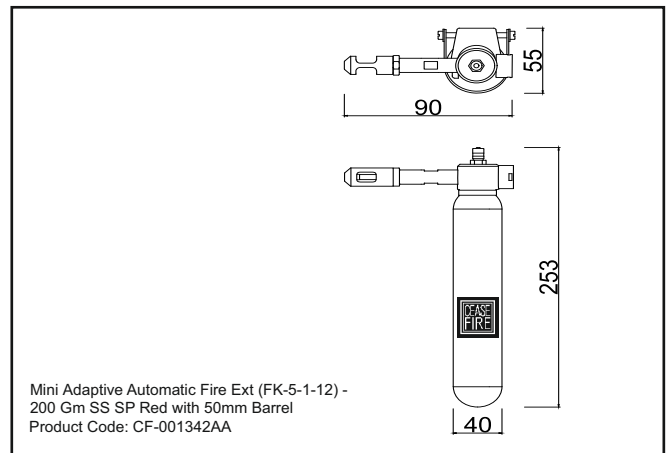
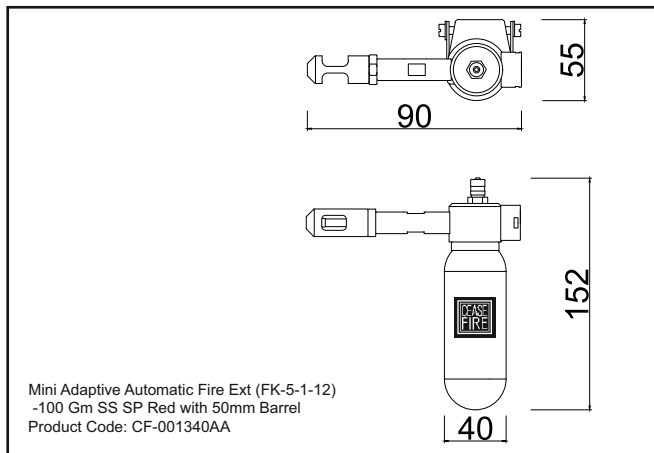
Small in size but not in might. Being the smallest suppression system - Mini has enough might to secure small enclosed spaces. Ceasefire Mini-Adaptive System is specifically designed for the micro-environments which are too small to even accommodate a Mini.

The body of the Mini stays outside and a thin barrel goes inside the micro-environment. Mini being fully automatic can detect, actuate, and suppress fires without any form of human intervention. At the same time, it is available in Fluroketone which happens to be a cold gas, therefore, extinguishes fire by absorbing heat from it. After being sprayed it leaves behind no residue and works on class A, B, C, and Electrically started fires.



The clean agent based variant does not fall under the ambit of the F-Gas Regulations.

ENGINEERING DRAWINGS (50mm Barrel)



ENGINEERING DRAWINGS (100mm Barrel)

Mini Adaptive Automatic Fire Ext (FK-5-1-12)
-100 Gm SS SP Red with 100mm Barrel
Product Code: CF-001340AB

Mini Adaptive Automatic Fire Ext (FK-5-1-12)
-200 Gm SS SP Red with 100mm Barrel
Product Code: CF-001342AB

Mini Adaptive Automatic Fire Ext (FK-5-1-12) -300 Gm SS SP Red with 100mm Barrel
Product Code: CF-001344AB

Mini Adaptive Automatic Fire Ext (FK-5-1-12) -400 Gm SS SP Red with 100mm Barrel
Product Code: CF-001346AB

Mini Adaptive Automatic Fire Ext (FK-5-1-12) -500 Gm SS SP Red with 100mm Barrel
Product Code: CF-001348AB

ENGINEERING DRAWINGS (200mm Barrel)

Mini Adaptive Automatic Fire Ext (FK-5-1-12)
-100 Gm SS SP Red with 200mm Barrel
Product Code: CF-001340AC

Mini Adaptive Automatic Fire Ext (FK-5-1-12)
-200 Gm SS SP Red with 200mm Barrel
Product Code: CF-001342AC

Mini Adaptive Automatic Fire Ext (FK-5-1-12) -300 Gm SS SP Red with 200mm Barrel
Product Code: CF-001344AC

Mini Adaptive Automatic Fire Ext (FK-5-1-12) -400 Gm SS SP Red with 200mm Barrel
Product Code: CF-001346AC

Mini Adaptive Automatic Fire Ext (FK-5-1-12) -500 Gm SS SP Red with 200mm Barrel
Product Code: CF-001348AC



TECHNICAL SPECIFICATIONS (50mm Barrel)

Product Code	UOM	CF-001340AA	CF-001342AA	CF-001344AA	CF-001346AA	CF-001348AA
Description	—	Mini Adaptive Automatic Fire Ext (FK-5-1-12) -100 Gm SS SP Red with 50mm Barrel	Mini Adaptive Automatic Fire Ext (FK-5-1-12) - 200 Gm SS SP Red with 50mm Barrel	Mini Adaptive Automatic Fire Ext (FK-5-1-12) -300 Gm SS SP Red with 50mm Barrel	Mini Adaptive Automatic Fire Ext (FK-5-1-12) -400 Gm SS SP Red with 50mm Barrel	Mini Adaptive Automatic Fire Ext (FK-5-1-12) -500 Gm SS SP Red with 50mm Barrel
Capacity of Agent	GRMS	100	200	300	400	500
Certification	—	PED UKCA-PED BSI TESTED	PED UKCA-PED BSI TESTED	PED UKCA-PED BSI TESTED	PED UKCA-PED BSI TESTED	PED UKCA-PED BSI TESTED
Diameter of Shell	MM	40	40	50	50	50
Total Height (approx.)	MM	148	248	240	295	350
MOC of Shell	—	SS 316L (1.4435)	SS 316L (1.4435)	SS 316L (1.4435)	SS 316L (1.4435)	SS 316L (1.4435)
Min. Wall Thickness	MM	1.2	1.2	1.2	1.2	1.2
Test Pressure	BAR	35	35	35	35	35
Anti-Corrosive Treatment	—	Outer surfaces are EP Powder coated having Thickness 50 Micron Min. RAL Shade 3000	Outer surfaces are EP Powder coated having Thickness 50 Micron Min. RAL Shade 3000	Outer surfaces are EP Powder coated having Thickness 50 Micron Min. RAL Shade 3000	Outer surfaces are EP Powder coated having Thickness 50 Micron Min. RAL Shade 3000	Outer surfaces are EP Powder coated having Thickness 50 Micron Min. RAL Shade 3000
Service Pressure	BAR	10 / 12	10 / 12	10 / 12	10 / 12	10 / 12
Type of Operating Mechanism	—	Automatic	Automatic	Automatic	Automatic	Automatic
Type of Pressure Gauge	—	Magnetic Bourdon Tube Type	Magnetic Bourdon Tube Type	Magnetic Bourdon Tube Type	Magnetic Bourdon Tube Type	Magnetic Bourdon Tube Type



Product Code	UOM	CF-001340AA	CF-001342AA	CF-001344AA	CF-001346AA	CF-001348AA
Type of Dis. Fitting & Length	MM	Direct Nozzle	Direct Nozzle	Direct Nozzle	Direct Nozzle	Direct Nozzle
Coverage Volume	m ³	0.130	0.260	0.290	0.520	0.650
Min. Discharge Time	Sec.	1 to 3	1 to 3	1 to 3	1 to 3	1 to 3
Fire Rating	—	NA	NA	NA	NA	NA
Operating Temperature Range	°C	57°	57°	57°	57°	57°
Applicable to Type of Fire	—	A, B, C ,& Electrical Started Fire	A, B, C ,& Electrical Started Fire	A, B, C ,& Electrical Started Fire	A, B, C ,& Electrical Started Fire	A, B, C ,& Electrical Started Fire
Filled Weight Range**	KG	0.695	0.935	1.07	1.27	1.46
Packed Weight Range (approx)***	KG	0.93	1.3	1.5	1.75	1.96
Packed Size Length x Width x Height	MM	180 x 75 x 18	180 x 75 x 18	290 x 75 x 390	290 x 75 x 390	290 x 75 x 390
Product Warranty	YEAR	5	5	5	5	5

*It includes Empty Extinguisher, Contents, QBD / Barrel.

**It includes Empty Extinguisher, Packaging, Contents, QBD / Barrel.

QUARTZOID BULB KEY

- 57°C / 135°F
- 68°C / 155°F
- 79°C / 174°F
- 93°C / 200°F
- 141°C / 286°F
- 182°C / 360°F
- 227°C / 440°F



TECHNICAL SPECIFICATIONS (100mm Barrel)

Product Code	UOM	CF-001340AB	CF-001342AB	CF-001344AB	CF-001346AB	CF-001348AB
Description	—	Mini Adaptive Automatic Fire Ext (FK-5-1-12) -100 Gm SS SP Red with 100mm Barrel	Mini Adaptive Automatic Fire Ext (FK-5-1-12) - 200 Gm SS SP Red with 100mm Barrel	Mini Adaptive Automatic Fire Ext (FK-5-1-12) -300 Gm SS SP Red with 100mm Barrel	Mini Adaptive Automatic Fire Ext (FK-5-1-12) -400 Gm SS SP Red with 100mm Barrel	Mini Adaptive Automatic Fire Ext (FK-5-1-12) -500 Gm SS SP Red with 100mm Barrel
Capacity of Agent	GRMS	100	200	300	400	500
Certification	—	PED UKCA-PED BSI TESTED	PED UKCA-PED BSI TESTED	PED UKCA-PED BSI TESTED	PED UKCA-PED BSI TESTED	PED UKCA-PED BSI TESTED
Diameter of Shell	MM	40	40	50	50	50
Total Height (approx.)	MM	148	248	240	295	350
MOC of Shell	—	SS 316L (1.4435)	SS 316L (1.4435)	SS 316L (1.4435)	SS 316L (1.4435)	SS 316L (1.4435)
Min. Wall Thickness	MM	1.2	1.2	1.2	1.2	1.2
Test Pressure	BAR	35	35	35	35	35
Anti-Corrosive Treatment	—	Outer surfaces are EP Powder coated having Thickness 50 Micron Min. RAL Shade 3000	Outer surfaces are EP Powder coated having Thickness 50 Micron Min. RAL Shade 3000	Outer surfaces are EP Powder coated having Thickness 50 Micron Min. RAL Shade 3000	Outer surfaces are EP Powder coated having Thickness 50 Micron Min. RAL Shade 3000	Outer surfaces are EP Powder coated having Thickness 50 Micron Min. RAL Shade 3000
Service Pressure	BAR	10 / 12	10 / 12	10 / 12	10 / 12	10 / 12
Type of Operating Mechanism	—	Automatic	Automatic	Automatic	Automatic	Automatic
Type of Pressure Gauge	—	Magnetic Bourdon Tube Type	Magnetic Bourdon Tube Type	Magnetic Bourdon Tube Type	Magnetic Bourdon Tube Type	Magnetic Bourdon Tube Type



Product Code	UOM	CF-001340AB	CF-001342AB	CF-001344AB	CF-001346AB	CF-001348AB
Type of Dis. Fitting & Length	MM	Direct Nozzle	Direct Nozzle	Direct Nozzle	Direct Nozzle	Direct Nozzle
Coverage Volume	m ³	0.130	0.260	0.290	0.520	0.650
Min. Discharge Time	Sec.	1 to 3	1 to 3	1 to 3	1 to 3	1 to 3
Fire Rating	—	NA	NA	NA	NA	NA
Operating Temperature Range	°C	57°	57°	57°	57°	57°
Applicable to Type of Fire	—	A, B, C ,& Electrical Started Fire	A, B, C ,& Electrical Started Fire	A, B, C ,& Electrical Started Fire	A, B, C ,& Electrical Started Fire	A, B, C ,& Electrical Started Fire
Filled Weight Range**	KG	0.695	0.935	1.07	1.27	1.46
Packed Weight Range (approx)***	KG	0.97	1.08	1.5	1.75	2
Packed Size Length x Width x Height	MM	180 x 75 x 18	180 x 75 x 18	290 x 75 x 390	290 x 75 x 390	290 x 75 x 390
Product Warranty	YEAR	5	5	5	5	5

*It includes Empty Extinguisher, Contents, QBD / Barrel.

**It includes Empty Extinguisher, Packaging, Contents, QBD / Barrel.

QUARTZOID BULB KEY

- 57°C / 135°F
- 68°C / 155°F
- 79°C / 174°F
- 93°C / 200°F
- 141°C / 286°F
- 182°C / 360°F
- 227°C / 440°F



TECHNICAL SPECIFICATIONS (200mm Barrel)

Product Code	UOM	CF-001340AC	CF-001342AC	CF-001344AC	CF-001346AC	CF-001348AC
Description	—	Mini Adaptive Automatic Fire Ext (FK-5-1-12) -100 Gm SS SP Red with 200mm Barrel	Mini Adaptive Automatic Fire Ext (FK-5-1-12) - 200 Gm SS SP Red with 200mm Barrel	Mini Adaptive Automatic Fire Ext (FK-5-1-12) -300 Gm SS SP Red with 200mm Barrel	Mini Adaptive Automatic Fire Ext (FK-5-1-12) -400 Gm SS SP Red with 200mm Barrel	Mini Adaptive Automatic Fire Ext (FK-5-1-12) -500 Gm SS SP Red with 200mm Barrel
Capacity of Agent	GRMS	100	200	300	400	500
Certification	—	PED UKCA-PED BSI TESTED	PED UKCA-PED BSI TESTED	PED UKCA-PED BSI TESTED	PED UKCA-PED BSI TESTED	PED UKCA-PED BSI TESTED
Diameter of Shell	MM	40	40	50	50	50
Total Height (approx.)	MM	148	248	240	295	350
MOC of Shell	—	SS 316L (1.4435)	SS 316L (1.4435)	SS 316L (1.4435)	SS 316L (1.4435)	SS 316L (1.4435)
Min. Wall Thickness	MM	1.2	1.2	1.2	1.2	1.2
Test Pressure	BAR	35	35	35	35	35
Anti-Corrosive Treatment	—	Outer surfaces are EP Powder coated having Thickness 50 Micron Min. RAL Shade 3000	Outer surfaces are EP Powder coated having Thickness 50 Micron Min. RAL Shade 3000	Outer surfaces are EP Powder coated having Thickness 50 Micron Min. RAL Shade 3000	Outer surfaces are EP Powder coated having Thickness 50 Micron Min. RAL Shade 3000	Outer surfaces are EP Powder coated having Thickness 50 Micron Min. RAL Shade 3000
Service Pressure	BAR	10 / 12	10 / 12	10 / 12	10 / 12	10 / 12
Type of Operating Mechanism	—	Automatic	Automatic	Automatic	Automatic	Automatic
Type of Pressure Gauge	—	Magnetic Bourdon Tube Type	Magnetic Bourdon Tube Type	Magnetic Bourdon Tube Type	Magnetic Bourdon Tube Type	Magnetic Bourdon Tube Type



Product Code	UOM	CF-001340AC	CF-001342AC	CF-001344AC	CF-001346AC	CF-001348AC
Type of Dis. Fitting & Length	MM	Direct Nozzle	Direct Nozzle	Direct Nozzle	Direct Nozzle	Direct Nozzle
Coverage Volume	m ³	0.130	0.260	0.290	0.520	0.650
Min. Discharge Time	Sec.	1 to 3	1 to 3	1 to 3	1 to 3	1 to 3
Fire Rating	—	NA	NA	NA	NA	NA
Operating Temperature Range	°C	57°	57°	57°	57°	57°
Applicable to Type of Fire	—	A, B, C, & Electrical Started Fire	A, B, C, & Electrical Started Fire	A, B, C, & Electrical Started Fire	A, B, C, & Electrical Started Fire	A, B, C, & Electrical Started Fire
Filled Weight Range**	KG	0.695	0.935	1.07	1.27	1.46
Packed Weight Range (approx)***	KG	1.06	1.17	1.6	1.9	2.1
Packed Size Length x Width x Height	MM	180 x 75 x 18	180 x 75 x 18	290 x 75 x 390	290 x 75 x 390	290 x 75 x 390
Product Warranty	YEAR	5	5	5	5	5

*It includes Empty Extinguisher, Contents, QBD / Barrel.

**It includes Empty Extinguisher, Packaging, Contents, QBD / Barrel.

QUARTZOID BULB KEY

- 57°C / 135°F
- 68°C / 155°F
- 79°C / 174°F
- 93°C / 200°F
- 141°C / 286°F
- 182°C / 360°F
- 227°C / 440°F

CERTIFICATIONS



PRODUCT PICTURES



500 GM

400 GM

300 GM

200 GM

100 GM

*v2' Published Date is 14-07-2023.

**Regular R&D and product improvisations may lead to change in product specifications in this data sheet, without any prior notice.