

CE26V | Rack and pinion door closer



Perfect for small to heavy doors, in any configuration

Trusted by **Professionals**

UNION

ASSA ABLOY

Experience a safer
and more open world

The CE26V rack and pinion closer is easy to adjust between power size 2-6, offering great flexibility to the specifier and installer.

With the adjustable power size and the reassurance of being CE and Certifire tested in all three fixing positions, the CE26V can be used in almost all applications. This provides significant site flexibility and reduces the need to hold lots of stock.

Offering adjustment up as far as power size 6, means this closer is ideal for larger or heavier doors.

Featuring 120 minute fire door testing, and fully tested backcheck the CE26V helps to protect buildings from fire and damage and is perfect for both new projects and refit applications.

Ideal applications

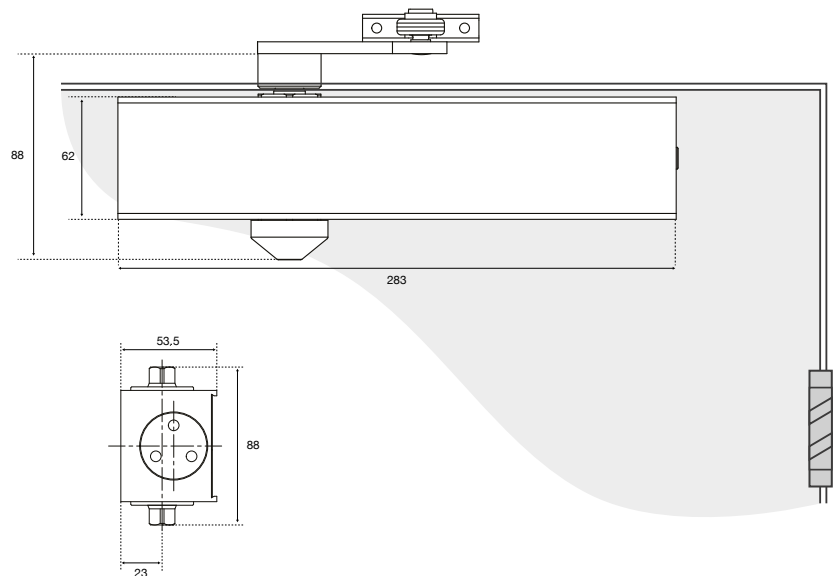
Offices, factories, warehouses, hospitals, schools, leisure facilities and most other commercial buildings



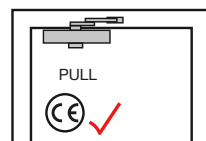
- Easy to fit
- CE marked
- Certifire tested to FD120 for timber doors
- Adjustable power size 2-6
- Perfect for doors up to 1400mm wide and 120kg
- Backcheck to help protect the doorset and surrounding walls from damage
- Suitable for fitting in all 3 configurations
- 10 year guarantee



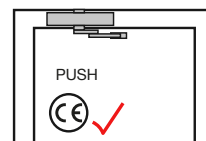
Feature	CE26V
CE	BS EN1154
Power size in fig 1 and 61	2-6
Power size in fig 66	2-5
Maximum door width	1400mm
Maximum door weight	120kg
Action	Rack & pinion
Fitting	Fig 1, Fig 61, Fig 66
Certifire	Yes
Suitable for timber fire doors	FD120
Suitable for steel fire doors	No
Power adjustment	Yes
Adjustable closing speed	Yes
Adjustable latching speed	Yes
Backcheck	Yes
Delayed action	No
Angle of opening (Fig 1 and 61)	160°
Angle of opening (Fig 66)	120°
Non-handed	Yes
Guarantee	10 years
Finish	Silver



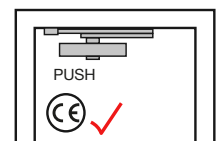
Regular Fig. 1



Transom Fig. 61



Parallel Fig. 66



For further information please contact us on **0845 223 2124** or visit www.uniononline.co.uk/ce26v

ASSA ABLOY Opening Solutions UK & Ireland, Door Hardware Group, School Street, Willenhall, West Midlands WV13 3PW
Email: info@uniononline.co.uk