

SENTINEL

HIGH PERFORMANCE EMERGENCY

The Sentinel range offers exceptional performance thanks to the specially designed optics, particularly for escape route applications. Wider spacing means less fittings are required, saving both time and money on any installation.



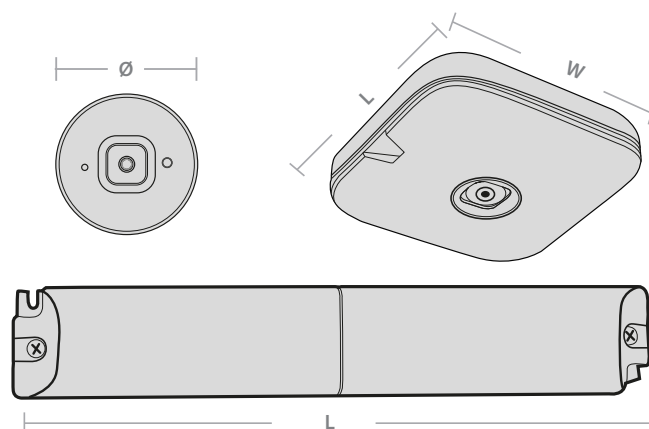
Features

- High performance optics
- Saves time and money - less fittings required
- Discreet recessed head
- High output 3W surface option
- Advanced LiFeP04 battery technology

Specification

Material:	Polycarbonate
Colour Temperature:	6000K
Colour Finish:	White
CRI	Ra>70
LED Lifetime:	L70B50 50,000 Hrs
IP Rating	IP20 / IP54
Power Factor:	0.5
Working Temperature:	0°C to 45°C
Emergency Battery Type:	LifeP04
Electrical Class:	Class II
Guarantee:	3 Years (Batteries 2 year)

Dimensions



Product Code	Dimensions
SENR1	Module: L: 173 x W: 30 D: 23mm Head: Ø: 40 x D: 23mm c/o Ø: 32-36mm
SENS3	L: 130 x W: 130 x D: 35mm

Product Code	Description	Wattage	Lumen Output	IP Rating	Net Weight (kg)	Barcode
SEN1ANM	Recessed Open Area	1W	120 lm	IP20	0.2	5055807620963
SEN1ERNM	Recessed Escape Route	1W	130 lm	IP20	0.2	5055807620970
SENS3ANM	Surface Open Area	3W	270 lm	IP54	0.25	5055807620987
SENS3ERNM	Surface Escape Route	3W	210 lm	IP54	0.25	5055807620994

Spacing Tables

SEN1ANM Open Area				
Mount Height (m)	Open Area 0.5 Lux min (m)			
Self Contained				
2.5	5.6	14.1	5.8	14.2
2.8	5.4	15.0	5.2	15.0
3.0	4.9	15.4	4.6	15.2
4.0	3.9	14.8	3.6	14.7

SENS3ANM Open Area				
Mount Height (m)	Open Area 0.5 Lux min (m)			
2.5	5.5	14.5	5.4	14.2
2.8	5.6	14.8	5.5	14.4
3.0	5.7	15.0	5.6	14.7
4.0	5.9	16.0	5.9	15.7
5.0	6.0	16.6	5.9	16.4
6.0	5.8	17.0	5.8	16.8
7.0	5.5	17.0	5.4	16.9
8.0	4.8	16.9	4.7	16.6
9.0	3.9	16.3	3.8	16.0
10.0	2.3	15.5	2.2	15.1

SEN1ERNM Escape Route		
Mount Height (m)	Escape Route 1 Lux min (m)	
2.5	7.5	17.9
2.8	7.7	19.1
3.0	7.8	19.8
4.0	6.7	21.9

SENS3ERNM Escape Route		
Mount Height (m)	Escape Route 1 Lux min (m)	
2.5	7.8	18.8
2.8	8.2	20.0
3.0	8.3	20.7
4.0	9.0	23.1
5.0	8.2	24.9
6.0	5.5	25.2
7.0	3.1	23.2

Light Distribution Curve

SEN1ANM

SEN1ERNM

SENS3ANM

SENS3ERNM

www.redarrowelectrical.co.uk