

## DUCT WRAP - Installation Guide

---



### THE ASTRO DUCT WRAP SYSTEM

---

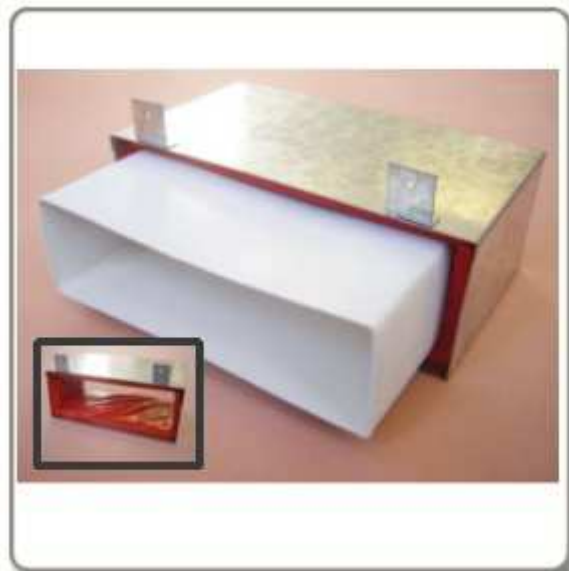
Duct wraps designed to provide simple and effective fire resistance to plastic vent ducting penetrations.

Fire tested in an Open/Open pipe/duct end configuration, to the most onerous requirements of EN 1366-3.

Installation is straightforward due to the four segment design and slide into the wall construction.

Supplied in various sizes to suit all common plastic vent duct dimensions.

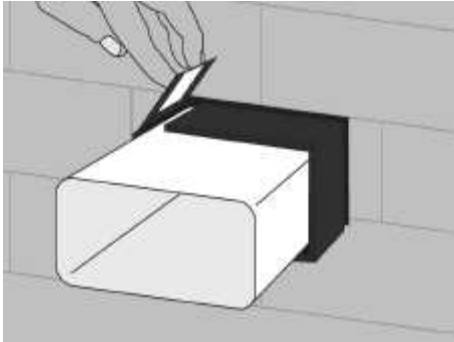
When fitted within a galvanised steel outer sleeve the duct wraps are suitable for penetrations through plasterboard partitions - see table below.



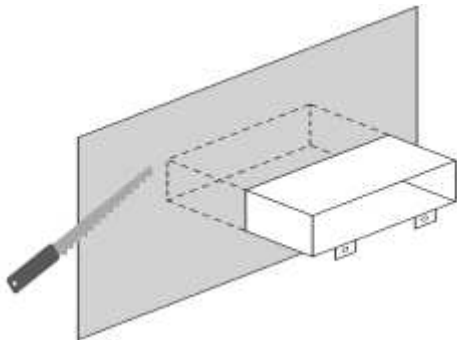
## Installation

---

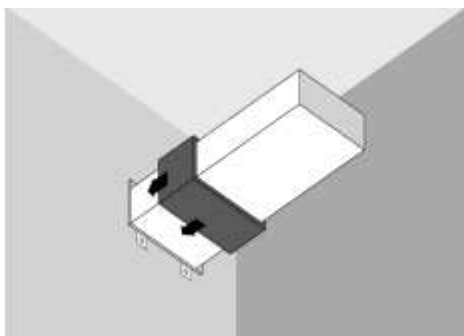
1. Wrap the vent duct with the duct wrap and secure with the self-adhesive tab.



2. For plasterboard installations a steel sleeve **must** be used - see the sleeve dimensions table below. Installed steel sleeve should fit snug to wall.



3. Slide the wrap into the wall construction. If a steel sleeve is fitted screw it to the wall using the sleeve's fixing tabs. Ensure the wrap is fitted centrally.

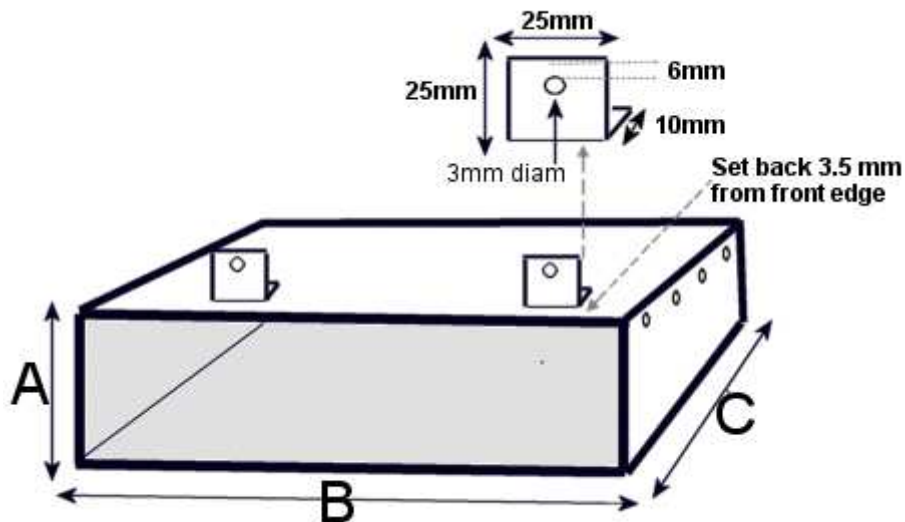


4. Seal any aperture between the wall and the sleeve/wrap with [intumescent mastic](#).



## Dimensions for spot welded construction steel sleeves.

Minimum steel thickness 0.8mm and to protrude at least 4.5mm either side of partition with [Intumescent Mastic](#) around all edges.



Duct Wrap Size	A Height	B Width	C Length
110 x 54	70	124	141
225 x 25 (234x29)	44	250	141
308 x 29	44	324	141
150 x 70	92	172	141
180 x 95	114	202	141
204 x 60	82	232	141
Ø 100	Ø 128	-	141

All dimensions in mm

Dimensions are a guideline and could be optimised for particular installations.

## Fire Test and Assessment Reports

Tested to EN1366-3

European Fire Resistance Classification:  
E1120 minutes (Integrity & Insulation)

For more information on fire test certification contact Astroflame Fireseals technical department.

## Storage and disposal

---

Astro Duct Wraps are not affected by the outdoor environment. However for long term storage and ease of installation, it is recommended that they should be stored indoors. No shelf life is given as this product will not deteriorate in storage.

For additional testing, certification or technical information please contact ASTROFLAME FIRESEALS LTD.

Issue 01/13

Astroflame (Fire Seals) Ltd. Intumescent House  
Unit 8, The IO Centre, Stephenson Road, Segensworth  
FAREHAM, ENGLAND PO15 5RU

tel 0800 023 2482  
(01329 844500)

fax 0800 023 2483  
(01329 844600)

intl  
tel +44 1329 844500

fax +44 1329 844600

email [sales@astroflame.com](mailto:sales@astroflame.com)

As part of our policy of ongoing improvements, we reserve the right to modify, alter or change product specifications without giving notice. Product illustrations are representations only. All information contained in this document is provided for guidance only, and as ASTROFLAME FIRESEALS LTD has no control over the installation methods of the products, or of the prevailing site conditions, no warranties expressed or implied are intended to be given as to the actual performance of the products mentioned or referred to, and no liability whatsoever will be accepted for any loss, damage or injury arising from the use of the information given of products mentioned or referred to herein.