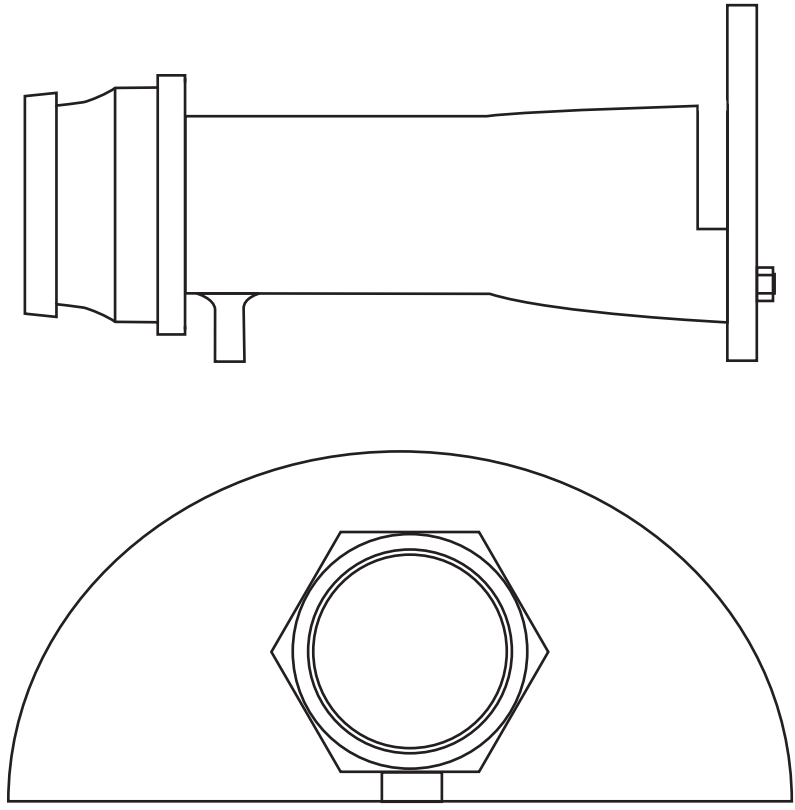


General Description

Delta Water Shields are designed to quickly and easily establish large water walls, water curtains to protect against heat, sparks, smoke and gases.



Inlet: 2.5" Instantaneous Male to BS336 (as shown above)
or 2" BSP Male with most international inlet adaptors available

Performance

| Model | Water Flow | Curtain Height | Curtain Width |
|----------------|------------|----------------|---------------|
| With BSP Inlet | 5 Bar | 5 Bar | 5 Bar |
| WEA211028 | 800l/min | 6m | 24m |
| WEA221029 | 1400l/min | 7m | 26m |

Specification

Materials: Main Body - Aluminium Painted RAL Red
Inlet Adaptor: Light Alloy or Gunmetal