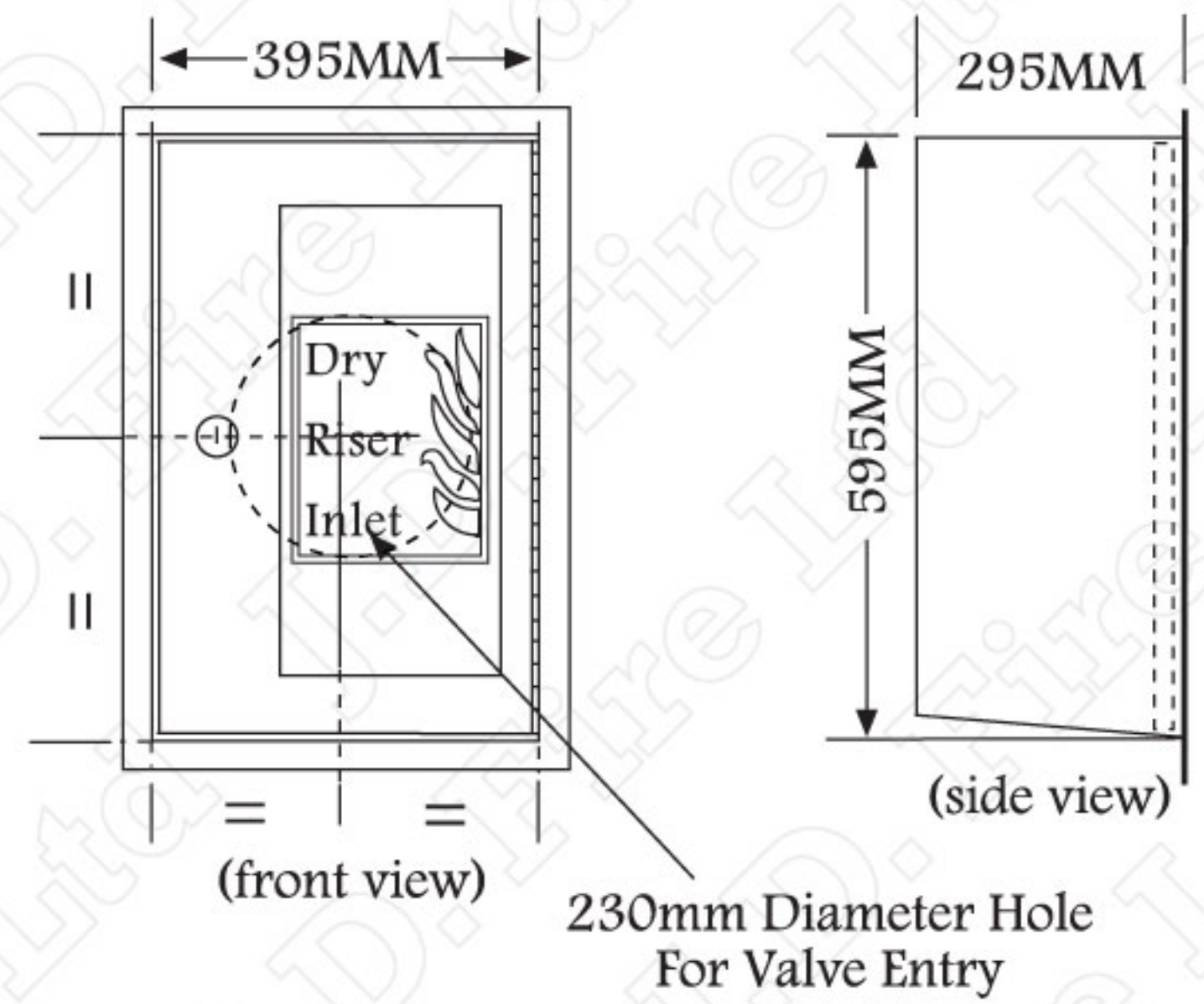


Recessed Vertical Inlet Cabinet



Cabinet Specifications

Cabinet & Door:	16swg Zintec Steel.
Colour:	As Standard Red Ral 3002.
Architrave:	38mm Wide All Round.
Glass:	6mm Georgian Wired, PRV Lettering.
Lock:	Yale Slam Lock Keyed Alike.
Hinge:	Stainless Steel Piano Hinge.
Conforms:	To BS 5041 Part 5.

Options

- 1) Full cabinet polyester powder coated to your colour specifications, all we need is a Ral or BS number.
- 2) Cabinets can be manufactured to your individual specifications and dimensions.
- 3) Cabinets can be manufactured with special doors to take marble, stone etc.
- 4) Cabinets can be manufactured to take fire brigade budget locks recommended on solid door version.

(Minimum aperture 405mm wide 605mm high)

Ref:	Specifications:	Dimensions:			Approx. Weight Kgs
		High mm	Width mm	Depth mm	
Elite 1802	Red As Standard	595	395	295	30
Elite 2020	Stainless Steel Satin Polished finish	595	395	295	30

Recessed Horizontal Inlet Cabinet

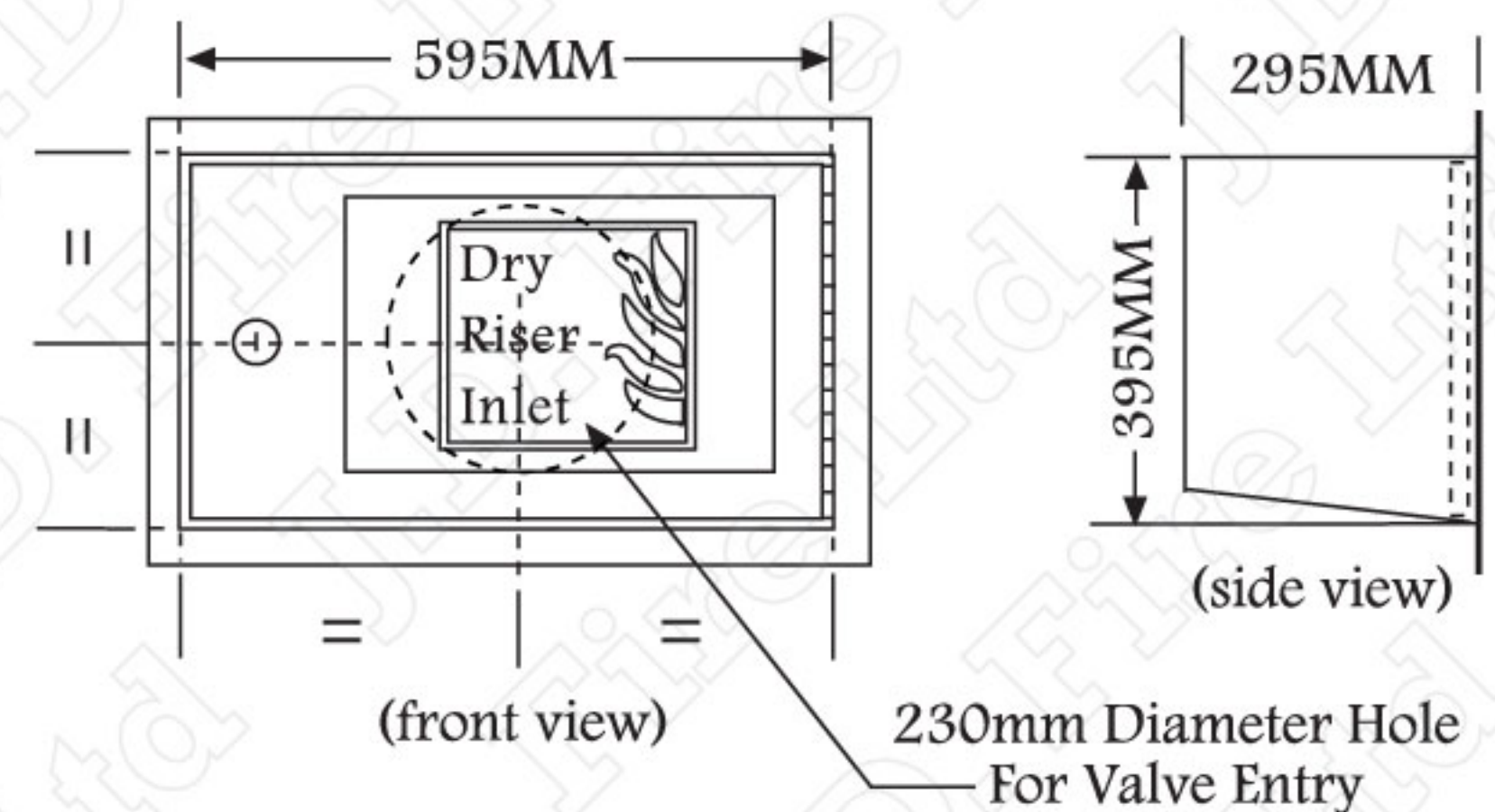


Options

- 1) Full cabinet polyester powder coated to your colour specifications, all we need is a Ral or BS number.
- 2) Cabinets can be manufactured to your individual specifications and dimensions.
- 3) Cabinets can be manufactured with special doors to take marble, stone etc.
- 4) Cabinets can be manufactured to take fire brigade budget locks recommended on solid door version.

Cabinet Specifications

Cabinet & Door:	16swg Zintec Steel.
Colour:	As Standard Red Ral 3002.
Architrave:	38mm Wide All Round.
Glass:	6mm Georgian Wired, PRV Lettering.
Lock:	Yale Slam Lock Keyed Alike.
Hinge:	Stainless Steel Piano Hinge.
Conforms:	To BS 5041 Part 5.



(Minimum aperture 605mm wide 405mm high)

Ref:	Specifications:	Dimensions:			Approx. Weight Kgs
		High mm	Width mm	Depth mm	
Elite 1799	Red As Standard	395	595	295	30
Elite 2010	Stainless Steel Satin Polished finish	395	595	295	30